



LONG  
LIFE  
PRODUCTS

## ZAKANDRA TRACKED WOOD CHIPPER

CUTTING UP TO 12 CM  
(4,72 INCH)

### Chipper for professional gardeners and renters

- > ON TRACKS
- > WITH INFEED ROLLER
- > DRUM TYPE CUTTING SYSTEM
- > SUITABLE ALSO FOR FIBROUS MATERIAL, SUCH AS PALM TREE
- > NO-STRESS SYSTEM



## Tracked chipper - Cutting up to 12 cm (4,72 inch)

Zakandra wood chipper is able to cut any kind of plant residue, dry or wet, up to a maximum diameter of 12 cm.

Zakandra offers the possibility of entering agricultural, wooded areas and easily overcome the slopes.



## FEATURES



Good for renting



- > For easy move on areas with difficult access, soft ground conditions, or uneven and sloping ground.
- > Ease of loading and unloading from vans or trucks.
- > A single motor to drive track and chipper to obtain: stability, movement and guide sensitivity, low center of gravity, lower fuel consumption, and reduced maintenanc.
- > Hydraulically driven tracks, speeds up to 2.5 km/h.
- > Compact weight: kg 550
- > Speed regulation and inversion of the feed roller by means of electric drives and controls.
- > Folding hopper in two positions to facilitate maneuvering and reduce obstruction.
- > Possibility of shredding wood and palm pruning.
- > SAFETY check of the inclination of the machine with LUMINOUS alarm and sound.
- > Zakandra is designed to shred quickly and easily. It can be easily moved and it is possible to reach the point where the prunings were deposited without difficulty.
- > Zakandra has been designed to last over time and in an easy to maintain perspective: FACT only a few components are subject to wear.

# Why CHOOSE ZAKANDRA

## POWER

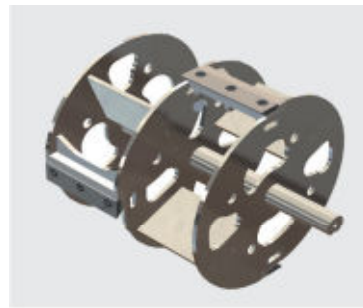


Briggs & Stratton 23HP Vanguard **professional engine**, V-TWIN with electric start. 3 years warranty (Briggs & Stratton)

## CUTTING CAPACITY



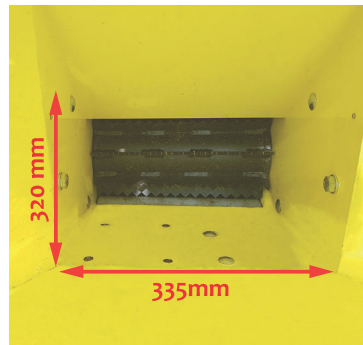
**Cutting Up to 12 cm (4,72 inch)**, wood or fibrous material (palm).



**Drum cutting system** with 4 blades. 4 steel plate that rotate at high speed creating the flow of air necessary to expel the processed material - even if very wet - at a height of about 2 meters.



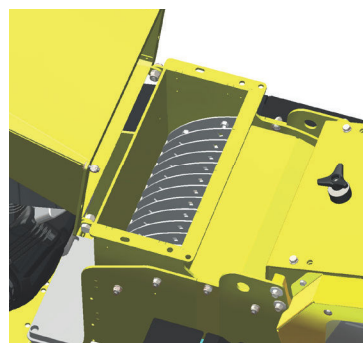
**Upper loading hopper:** Wide material introduction point, dimensions:  
- width 1200 mm;  
- height altezza 430 mm.



**Lower loading hopper:** the hopper remains large even at the cutting point, so that the machine is able to shred particularly leafy materials, such as olive trees pruning, avoiding blockages and allowing grinding of large quantities of material for each load. This leads to a significant reduction of working times.



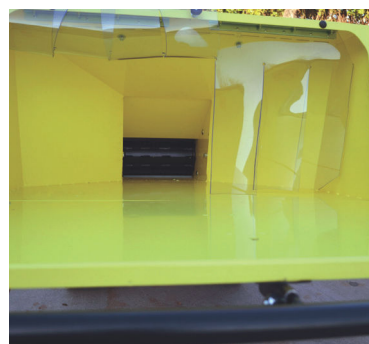
**Hydraulic infeed roller** is a 190 mm diameter toothed steel roller with adjustable speed and rotation direction; it is placed inside the hopper and carries every kind of vegetable waste automatically towards the cutting system. (roller width 332 mm).



**Sieve for chip measure regulation:** Zakandra can be equipped with particular sieves that allows to graduate the shredded output in order to obtain chips of an ideal size for the purposes of supply of many Biomass Heating Systems.

### SAFETY

Agrinova, with over 30 years of experience, has taken all the measures that ensure the operator to work in complete safety.



Safety transparent screen.



Emergency/ re-start buttons.



Great stability thanks to quality tracks produced in Italy:  
- 1050 mm length;  
- 900 mm track.

### COMFORT



**Anti-clogging system:** the Zakandra chipper has a large discharge system that remains wide throughout its extension, avoiding narrowings that block the outgoing material in a bottleneck. Thanks also to the volume of air generated by the rotation of the cutting system, Zenith is able to easily unload almost all types of shredded material, even if it is particularly wet or leafy, minimizing clogging and machine stops.

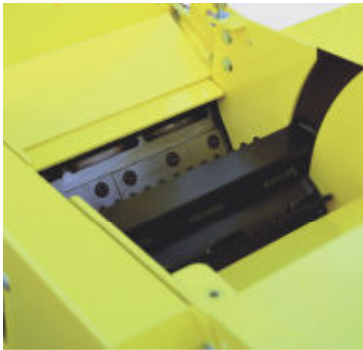


**Adjustable discharge curve:** The discharge curve of the Zakandra chipper is characterized by the possibility of being rotated 360° thus allowing to direct the jet of shredded without having to move the body of the machine. The discharge curve reaches a height of 192 cm from the ground.



**Discharge curve extension (optional):** allows the drain to be raised by 23 cm (up to a total height of 2.15 m) - Cod. B41892.

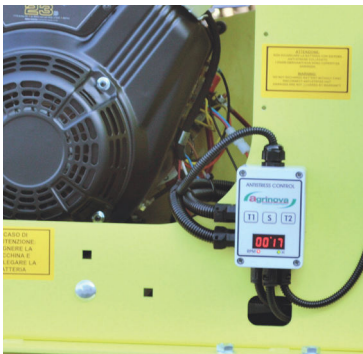
# Why CHOOSE ZAKANDRA



**Easy access to the cutting chamber:** the Zakandra chipper was designed so that it can be accessed very easily and quickly but always in strict compliance with safety regulations, to all those parts that normally require maintenance, in particular the cutting system and to the transmission mechanisms and to monitor how the machine is working.



**Controls:** 2 levers located on the “console” allow separate control of the left and right track.



**NO-STRESS system** has the purpose of preserving the engine from excessive stress originating from the cutting of materials of large diameters, very hard, leafy, humid and, which in general require a lot of power.  
**HOUR COUNTER:** an hour counter is integrated into the nostress system, excellent even in case of vehicle rental.



**Feed roller speed adjustment:** Changeover of the feed roller by means of electric drives and controls.



**Speed regulation** and inversion of the feeding roller by means of electric drives and controls.



**Tilt control (optional):** Zakandra It can have a LUMINOUS sound alarm that is activated when dangerous inclinations are reached for the stability of the machine both longitudinally and transversally.



Example of **shredded product** made with a Zakandra chipper.

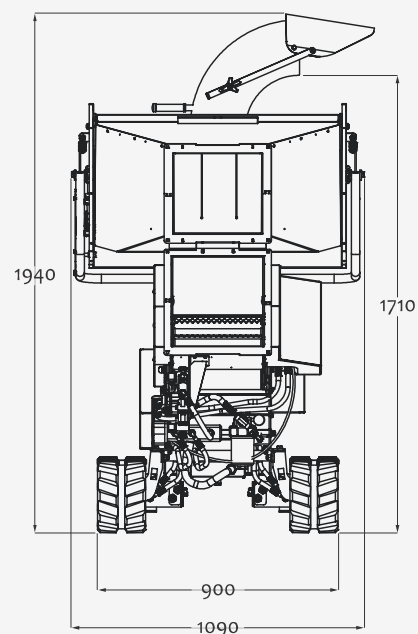
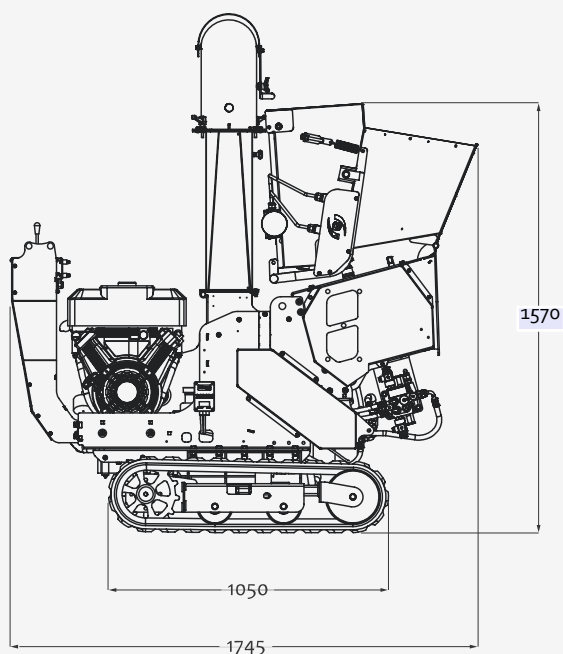
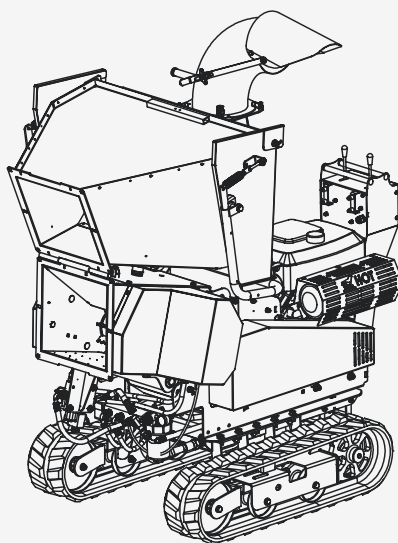


**Palm pruning:** Zakandra is the ideal machine also for palm pruning and other particularly fibrous material.

### COMFORT

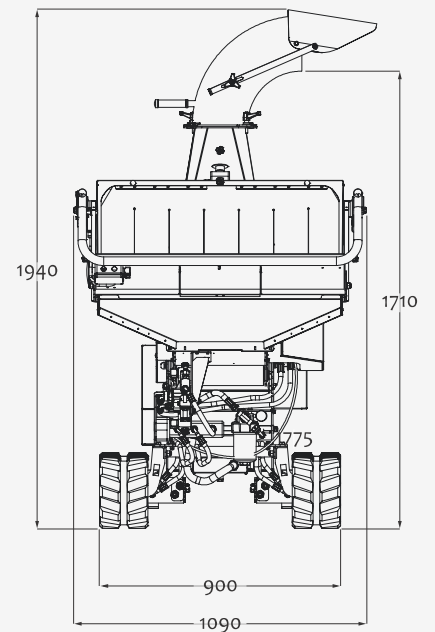
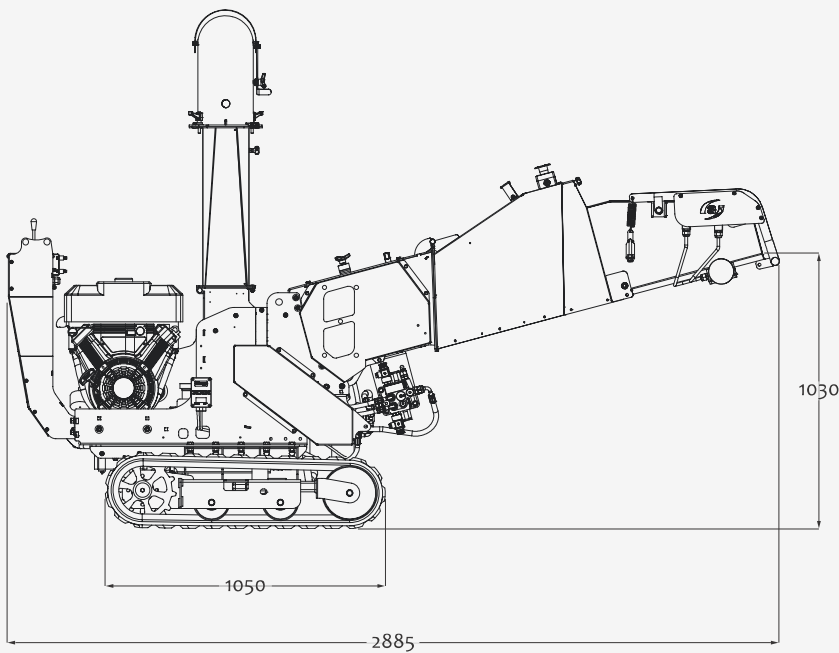
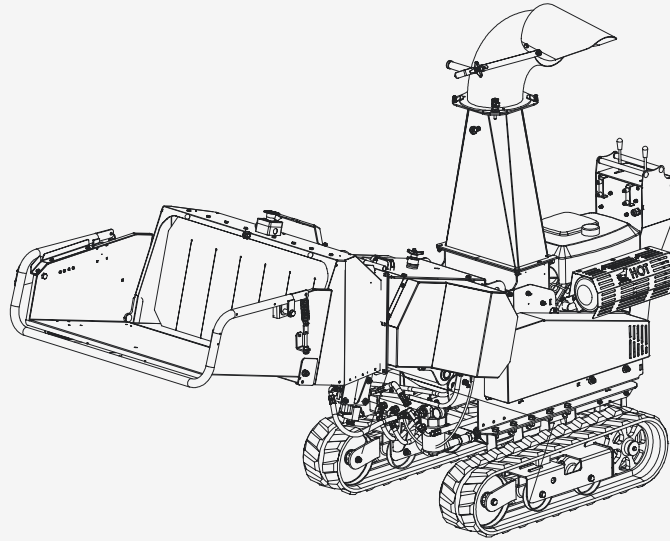
**Space management:** Zakandra has been designed considering the need to take up little space, in vans and storage. Hopper and discharge are closable.

In the images below; Zakandra with disassembled exhaust bend.



# Why CHOOSE ZAKANDRA CINGOLO

## Dimensions



### Technical data

|                     |                                      | ZA350-B2-AS-TL1-C  |
|---------------------|--------------------------------------|--|
|                     | Max chippable diameter               | 120 mm   |
| ENGINE              | Type                                 | Briggs & Stratton - Vanguard                                   |
|                     | Power                                | 23 HP  |
|                     | Displacement                         | Twin cylinder  |
|                     | Cooling                              | Air cooled   |
|                     | Start up type                        | Electric   |
|                     | Fuel type                            | Gasoline   |
|                     | Tank capacity                        | 8,5 litres   |
| CUTTING SYSTEM      | Type                                 | Drum system  |
|                     | Blades - number                      | 2+2 knives + fixed counterknife                                |
|                     | Blades - materials                   | Core hardened steel  |
|                     | Transmission                         | Double belt with centrifugal clutch                            |
|                     | Width                                | 335 mm   |
| FEEDING SYSTEM      | Type                                 | Hydraulic driven   |
|                     | Diameter                             | 190 mm   |
|                     | No-stress device                     | Standard equipment - automatic start and stop for feed rollers |
| LOADING HOPPER      | Dimensions (at chipping point)       | 335 x 270 mm   |
|                     | Dimensions                           | 960 x 425 mm   |
| DISCHARGE           | Type                                 | 360° rotation of discharge curve                               |
|                     | Control                              | Adjustable deflector   |
| HANDLING SYSTEM     | Type                                 | On track   |
|                     | Transmission                         | hydraulic motors   |
|                     | Track - length                       | 1050 mm  |
|                     | Track - width                        | 900 mm   |
| GENERAL INFORMATION | Work configuration - dimensions      | 2900 x 1090 x 1960 h mm  |
|                     | Temporary moving - dimensions        | 2400 x 1090 x 1960 h mm  |
|                     | Transport configuration - dimensions | 1750 x 1090 x 1960 h mm  |
|                     | Weight                               | about 550 kg   |
|                     | Hydraulic oil tank capacity          | 12 Litres (with filter and pressure gauge)                     |
| OPTIONAL            | Sieve                                | √ (width 25 mm)  |
|                     | Raised discharge curve               | √  |
|                     | Remote radio control                 | √  |
|                     | Slope control                        | √  |