



LONG LIFE POWERFUL
PROFESSIONAL GARDEN SOLUTIONS

ZENIA CHIPPER

CUTTING UP TO 7 CM



Bio chipper **ZENIA** serie **EVOLUTION**

The simple and reliable shredder for jobs in small farms

ZENIA

Chipper - Cutting up to 7 cm



Cutting tool with long-lasting knives and 12 hammers

(NEW) cutting system:

On a front disc of 34 cm in diameter and 10 mm thick, 2 10 cm long knives are mounted, which provide a first reduction in material to be crushed. At the rear, two sets of hammers, 12 in total, are mounted, which have the function of deflecting and further reducing the material to be crushed. Two blades placed on the back of the cutting disc have the function of creating air and push the shredded material out of the machine through the tube.

Tow hitch:

For easy movement.

Exhaust Pipe:

Choose the version you need by height:

DISCHARGE Standard discharge ride height 125 cm
Exhaust optional ride height 187 cm

Discharge chute:

Rotatable through 360° to select the output direction of the wood chips..

Double belt transmission:

The transmission of power between the motor and the cutting disc is a double trapezoidal belt that allows an excellent level of rotation fluidity and high motor protection. If the cutting disc is blocked, the belt drive protects against damages and cracks in the crankshaft.

Its main feature is ease of use. Its principle strength is the excellent cutting system.

Its principle strength is the excellent cutting system.

FEATURES



Max cutting diameter

7 cm



AVAILABLE VERSION:

- petrol engine
- tractor pto



HANDLING SYSTEM: on 2 pneumatic wheels with mudguard and tow hook



PACKING ZENIA

1 box on pallet:

124 x 81 h 110 cm

1 complete pallet with 2 boxes

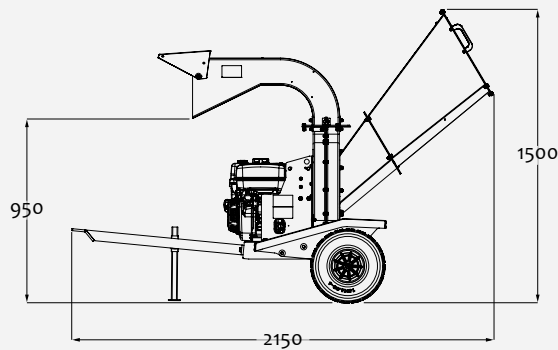
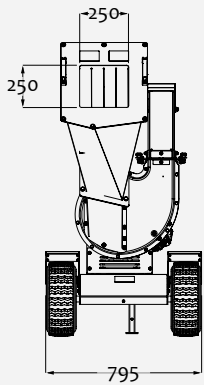
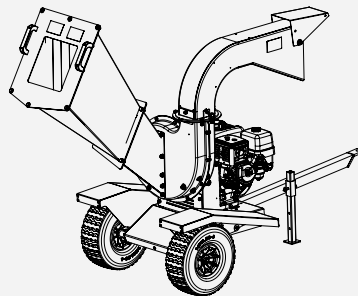
124 x 81 h 234 cm

PTO VERSION

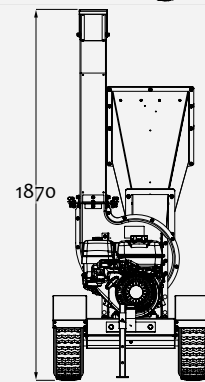
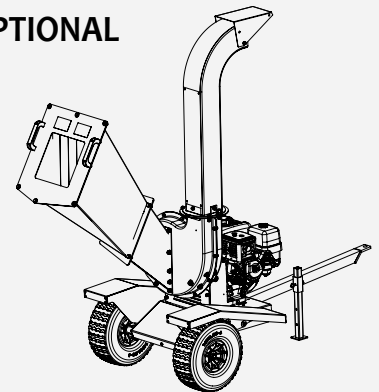
124 x 81 h 116 cm

Dimensions

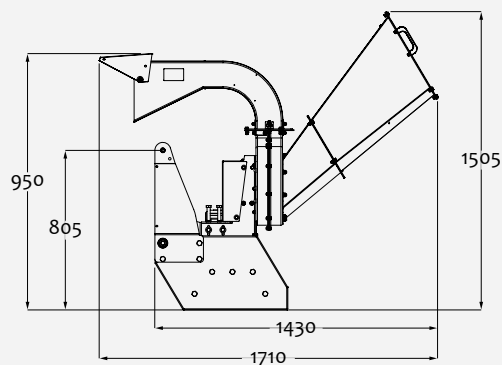
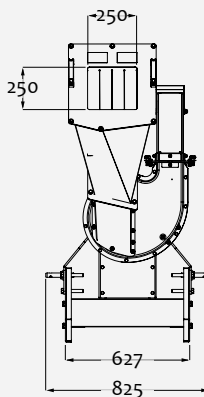
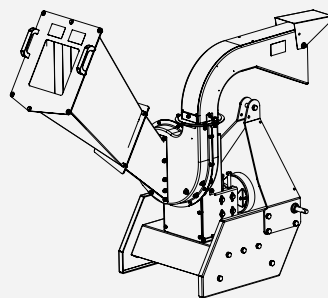
STANDARD VERSION



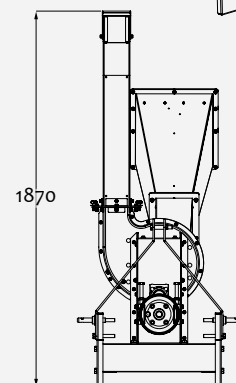
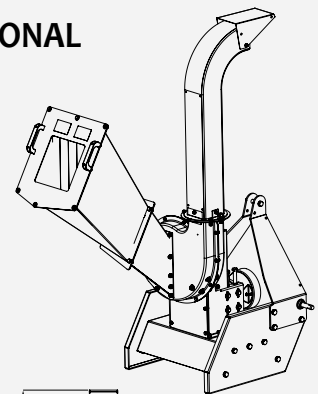
OPTIONAL



TRACTOR VERSION



OPTIONAL



Technical data

		ZE400	ZE413-H	ZE400-T1
	Max chippable diameter	60-70 mm	60-70 mm	60-70 mm (depending on tractor power)
ENGINE	Type	Briggs & Stratton serie 1450	Honda GX390	P.T.O
	Power	9 HP	9 HP	Starting from 16 HP - 540 rpm
	Start up type	Recoil start	Recoil start	---
	Fuel type	Gasoline	Gasoline	---
CUTTING SYSTEM	Type	Disc	Disc	Disc
	Blades - number	2 knives + 14 hammers and blowing blade	2 knives + 14 hammers and blowing blade	2 knives + 14 hammers and blowing blade
	Blades - materials	Tempered steel	Tempered steel	Tempered steel
	Transmission	Double belt	Double belt	Double belt
DISCHARGE	Type	360° rotation	360° rotation	360° rotation
	Standard exhaust chute	125 cm (discharge ride height)	125 cm (discharge ride height)	125 cm (discharge ride height)
HANDLING SYSTEM	Wheels number	2	2	---
	Type	Pneumatic	Pneumatic	---
GENERAL INFORMATION	Dimensions	2150 x 800 x 1500 h mm	2150 x 800 x 1500 h mm	2150 x 800 x 1500 h mm
	Weight	134 kg	134 kg	131 kg
OPTIONAL	Raised exhaust chute	187 cm (discharge ride height)	187 cm (discharge ride heighta)	187 cm (discharge ride height)



ZENIA ZE400-T1
For tractors starting from 16 hp , 540 rpm