



LONG LIFE POWERFUL
PROFESSIONAL GARDEN SOLUTIONS

OTTO

DEBRIS LOADER

Otto is a tailgate mounted vacuum machine suitable to vacuum leaves, grass cuttings, small trash from roads, sidewalks, parks, car parks, and courtyards.

Otto is ideal to be mounted onto collection compactor vans, dedicated to urban hygiene, to efficiently clean public places after events (concerts, carnivals, markets).



Employers of Agrinova technical office, will assist you on the planning the apply of Vacuum on your truck..

OTTO

Debris loader

BASE WITH 3 WHEELS:



HOSE:

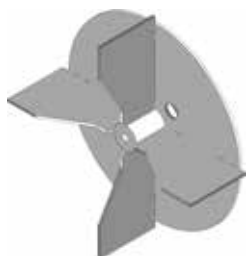
- Polyurethane hose for lightweight, flexibility and excellent wear resistance
- Length: 5m - 0 180 mm
- With copper spirai guarantees antistatic properties
- Hose support with 1 wheel (standard) and with two wheels code AS8004



IMPELLER:

- \varnothing 330 mm
- 4 blades 4 mm thickness

The OT8 model, the impeller is connected directly to the motor shaft, while for the OT8 / H and OT8 / H2 models, **the transmission is belted**



TIE HOOK AND LIFT HANDLE:

Suitable for many types of tail gates (customizable on request)



COATED CHAIN AND COLLAR SUPPORT:

Swivel arm hooked to the chassis frame designed to hold the suction pipe almost weightless for effortless operation



SAFETY DEVICE:

Limit switch to stop the impeller when the impeller shield is removed.



DISCHARGE:

- 360° swivel
- Adjustable deflector



OPTIONAL:

Lifting trolley with mechanical jacks. Cod: DT490DS (for OTBB) or DT490CS (for OTBH)



OPTIONALS AVAILABLE

STEEL DUAL-WALLED PROTECTION FOR HOUSING cod:AS804



KIT HOSE HOLDER CIRCULAR SECTION WITH 2 WHEELS cod. AS8004



KIT HOSE HOLDER SQUEEZED SECTION WITH 2 WHEELS, FOR HOSE 180 mm DIAMETRE, 35 cm WIDTH cod.ASBOSC

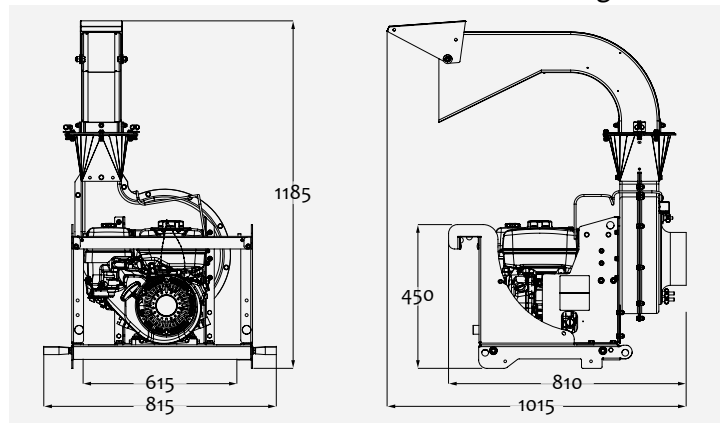
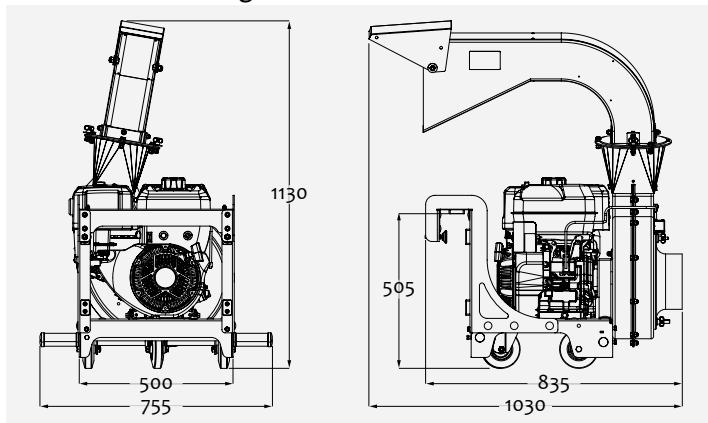


Technical data

For models with engine B&S

DIMENSIONS:

For models with engine Honda



		OT8B	OT8H
GENERAL INFORMATION	Dimensions (box)	800 x 750 x 870 h mm	800 x 750 x 870 h mm
	Weight	97 kg	105 kg
	Base with 3 wheels	√	—
ENGINE	Type	Briggs & Stratton serie 1450	Honda GX270
	Power	9 hp	9 hp
IMPELLER	Diameter	330 mm	330 mm
	Blades - number	4 welded	4 welded
	Blades - thickness	4 mm	4 mm
	safety micro switch	√	√
HOSE	Diameter	180 mm	180 mm
	Length	5 m	5 m
	Material	Poliuretanic	Poliuretanic
	Hose-holder bar	√	√
	Circular section extendable tube bras with wheel	√	√
DISCHARGE CHUTE	Adjustable	360°	360°
TRANSMISSION		Direct	With double belt

OPTIONAL

Lift truck	DT490DS	DT490CS
Kit hose holder circular section with 2 wheels	AS8004	AS8004
Kit hose holder squeezed section with 2 wheels, for hose 180 mm diameter, 35 cm width	AS80SC	AS80SC
Steel dual-walled protection for housing	AS504	AS804

Technical data

SPECIAL MODEL

With special impeller to shred vacuumed material

Available only for the Honda models



TRACTOR MODEL (PTO)

With safety micro switch

To be connected to the 3 lifting points of 16 HP tractor at 540 rpm (16 or Higher)



For the optional special version and tractor version, see the previous table

		OT8-HF	OT8-H2F
GENERAL INFORMATION	Dimensions (box)	800 x 750 x 870 h mm	800 x 750 x 870 h mm
	Weight	115 kg	120 kg
	Base with 3 wheels	---	---
ENGINE	Type	Honda GX270	Honda GX390
IMPELLER	Diameter	330 mm with special cutting system	330 mm with special cutting system
	Blades - numbers	4 welded	4 welded
	Blades - thickness	4 mm	4 mm
	Safety system with micro-switch	✓	✓
HOSE	Diameter	180 mm	180 mm
	Length	5 m	5 m
	Material	Poliuretano	Poliuretanic
	Hose-holder bar	✓	✓
	Circular section extendable tube bras with a wheel	✓	✓
DISCHARGE CHUTE	Adjustable	360°	360°
TRANSMISSION	with double belt	✓	✓

		OT8-T1
GENERAL INFORMATION	Dimensions (box)	1240 x 810 x 1870 h mm
	Weight	120 kg
ENGINE		For tractor starting to 16 hp - 540 Rpm
IMPELLER	Diameter	330 mm
	Blades - numbers	4 welded
	Blades - thickness	4 mm
HOSE	Diameter	180 mm
	Length	5 m
	Material	Poliuretanic
	Hose-holder bar	---
	Circular section extendable tube bras with a wheel	✓
DISCHARGE CHUTE	Adjustable	360°
TRANSMISSION	Made in Italy	Gear box with double belt

DIMENSIONS

Model for tractor version

