

**agrinova**  
GARDEN EQUIPMENT

  
Made in Italy

LONG LIFE POWERFUL  
PROFESSIONAL GARDEN SOLUTIONS

**OSWALD**

**OUTDOOR VACUUM**

*Oswald equipped with optional becomes a complete system for the cleaning of parks, gardens and roads.*

# OSWALD

## Outdoor vacuum

### SIDE BRUSH IN “SL-VERSION”

Oswald is also available with a side brush

The side brush allows a larger cleaning, offering better performances of the machines, reducing working times.

Features:

- Diameter 45 cm
- Bristles in 1 mm PPL



### IMPELLER WITH STAR-SHAPED KNIFE “13 VERSION”

Special “13 version” is provided for those who have large amounts of leaves to suck up and want to optimize the capacity of the bag. The machine in this series have a star-shaped knife, which cut the leaves up before they enter the turbine. The use of this knife means that these units are only suitable for suction of leaves as the knife obstruct the passageway.

**NOTE:** Suggested with oS73, the purchase of the Bag support trolley (AS450)



## OPERATOR SAFETY

The micro-switch placed in correspondence of the suction mouth, makes secure fast opening required for checks and maintenance.



Oswald is perfect for vacuuming leaves, pine needles, pine cones and light waste



### WHEELS:



Rear: 2 pneumatic.  
Front: 1 pivoting  
(2 pivoting on brush version)

### SELF-PROPELLED DIFFERENTIAL:

The differential is used in this model to increase manoeuvrability: when steering, the right and left-hand wheels can turn at different speeds



### TOP-LOADING OF THE BAGS:

To ensure full filling (230 lt capacity)



### MANUAL REGULATION OF SUCTION:

Adjustable on 6 levels



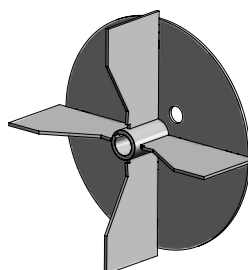
### SUCTION MOUTH PROFILE:

The profile of the polyethylene suction has been designed to facilitate the flow of leaves. (inlet suction area: 700 x 90 mm)



### IMPELLER:

With 4 x 4 mm steel radial blades



### HOUSIN OBTAINED BY PRESSING:

2 mm sheet metal



# OPTIONALS

MAKE YOUR OSWALD A SUCTION SYSTEM BY CHOOSING THE  
OPTIONALS THAT SUIT YOUR NEEDS

## BAGS



### AS978

Powder dust cover (dust dump)



### AS966

Disposable Bags (10 Bags made of micro perforated paper)



### AS948

Special bag for easy suction of wet leaves



### AS958

Bag (standard) recommended in dry climates

## SUCTION HOSES

DIAMETER 180 mm



### AS91224

Hose in PVC Ø 180 | 5 m

### AS91203

Hose in POLYURETHANE Ø 180 | 5 m (very light and flexible)

DIAMETER 100 mm



### AS401

Hose in PVC Ø 100 | 4 m (not recommended for "version 13")

## BLOWER TRANSFORMATION KIT

SIDE BLOWER



### AS440

Composed of side exit nozzle and protection grid (not usable in models with side brush)

STUBE BLOWER



### AS51220

Consisting of - protection grille, special curve and PVC tube diameter 100 mm

## OTHER ACCESSORIES

GRAVEL KIT - WHEEL DIAMETER 260 mm



### AS65

Pneumatic wheel diameter 260 mm recommended for working on gravel (Not usable in models with side brush)

BAG SUPPORT TROLLEY



### AS455 for Oswald

### AS450 for Oskar

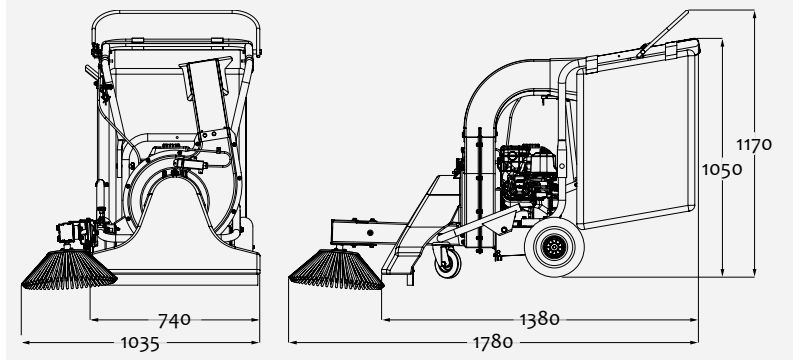
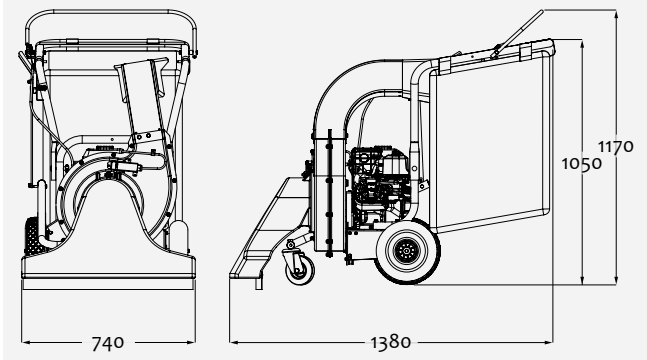
Recommended when vacuuming wet leaves, heavy material and with "version 13"



Pine needles



## DIMENSIONS:



## Technical data

BASIC MODELS		OS10D3	OS10D2H
GENERAL INFORMATION	Dimensions (box)	790 x 690 x 720 h mm	790 x 690 x 720 h mm
	Dimensions pallet (with 4 boxes)	1400 x 800 x 1600 h mm	1400 x 800 x 1600 h mm
	Weight	71 kg (about)	71 kg (about)
	Plastic nozzle - dimensions	70 x 10 cm	70 x 10 cm
	Regulation of suction	On 6 positions	On 6 positions
ENGINE	Type	Briggs & Stratton serie 1450	Honda GX160
	Power	6,5 hp	5,5 hp
IMPELLER	Diameter	330 mm	330 mm
	Blades	4 radial steel 4 mm	4 radial steel 4 mm
	Safety micro-switch	√	√
DISCHARGE	Leaf discharge	At the top	At the top
	Bag	AS958	AS958
HANDLING SYSTEM	Self propelled	√ With differential	√ With differential
	Wheels	2 pneumatic + 1 pivoting	2 pneumatic + 1 pivoting
OPTIONAL		See previous page	See previous page

MODELS WITH - FRONTAL BRUSH "SL"		OS10D3 - SL	OS10D2H - SL
	Weight	78 kg (about)	78 kg (about)
	With frontal brush	∅ 450 mm - with belt transmission and steel gears	∅ 450 mm - with belt transmission and steel gears
	Configuration	as OS10D3 (no the weight) with 2 pivoting wheels	as OS10D2H (no the weight) with 2 pivoting wheels

MODELS WITH- IMPELLER LEAF SHREDDER "13"		OS13D3	OS13D2H
	Weight	73 kg	73 kg
	With leaf shredder	√	√
	Configuration	as OS10D3 (no the weight) with 2 pivoting wheels	as OS10D2H (no the weight) with 2 pivoting wheels

MODELS WITH - FRONTAL BRUSH "SL" AND LEAF SHREDDER "13"		OS13D3 - SL	OS13D2H - SL
	Weight	78 kg	78 kg
	With frontal brush	∅ 450 mm - with belt transmission and steel gears	∅ 450 mm - with belt transmission and steel gears
	With leaf shredder	√	√
	Configuration	as OS10D3 (no the weight) with 2 pivoting wheels	as OS10D2H (no the weight) with 2 pivoting wheels