

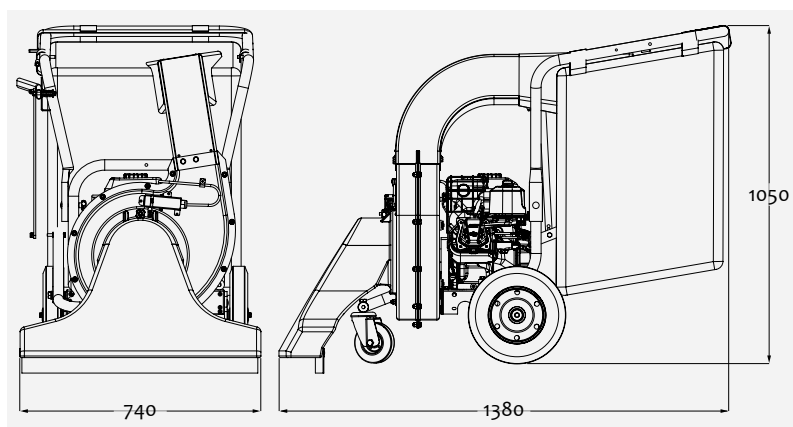
Technical data



Side brush and star-shape knife not available

MODEL		OS10P
GENERAL INFORMATION	Dimensions (box)	790 x 690 x 720 h mm
	Dimensions pallet (with 4 boxes)	1400 x 800 x 1600 h mm
	Weight	71 kg
	Plastic nozzle - dimensions	70 x 10 cm
	Regulation of suction	On 6 positions
ENGINE	Type	Briggs & Stratton serie 950
	Diameter	330 mm
IMPELLER	Blades - number	4
	Blades - thickness	4 mm
	Safety micro-switch	√
HOSE	Diameter	180 mm
	Length	5 m
	Material	Poliuretanic
DISCHARGE	Leaf discharge	At the top
	Bag capacity	230 l
HANDLING SYSTEM	Wheels	2 pneumatic + 1 pivoting
OPTIONAL		See previous page

DIMENSIONS:



CLEANING MISSION



Ed. October 2022