



LONG LIFE POWERFUL
PROFESSIONAL GARDEN SOLUTIONS

OLGA

DEBRIS LOADER

OLGA is a tailgate mounted vacuum machine suitable to vacuum leaves, grass cuttings, small trash from roads, sidewalks, parks, car parks, campings and courtyards.

OLGA is ideal to be mounted onto collection compactor vans, dedicated to urban hygiene, to efficiently clean public places after events (concerts, carnivals, markets), and camping.



Employers of Agrinova technical office, will assist you on the planning the apply of Vacuum on your truck..

OLGA

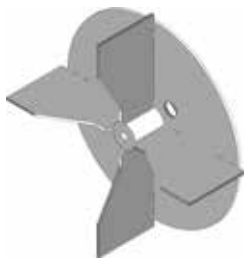
Debris loader

| OLGA OT16B | | |
|---------------------|----------------------------------|------------------------------|
| GENERAL INFORMATION | Dimensions (box) | 800 x 750 x 870 h mm |
| | Dimensions pallet (with 4 boxes) | 800 x 1500 x 1870 h mm |
| | Weight | 59 kg |
| | Base with 3 wheels | Optional - Cod. OT120 |
| ENGINE | Type | Briggs & Stratton serie 950 |
| | Power | 6,5 hp |
| IMPELLER | Diameter | 330 mm |
| | Blades - number | 4 welded |
| | Blades - thickness | 4 mm |
| | Safety system with micro-switch | ✓ |
| HOSE | Diameter | 180 mm |
| | Length | 5 m |
| | Material | Poliuretanic |
| DISCHARGE CHUTE | | Fix |
| TRANSMISSION | | Direct |

IMPELLER:

- \varnothing 330 mm
- 4 blades 4 mm thickness

The OLGA model, the impeller is connected directly to the motor shaft.



HOSE:

- Polyurethane hose for lightweight, flexibility and excellent wear resistance
- Length: 5 m, diameter 180 mm
- Copper coiled to eliminate static charges



SAFETY DEVICE:

Limit switch to stop the impeller when the impeller shield is removed

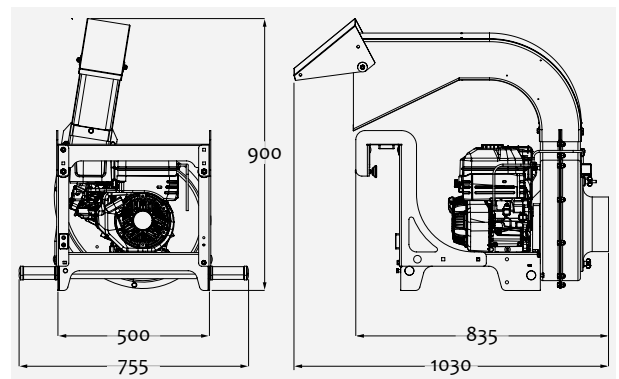


TIE HOOK AND LIFT HANDLE:

Suitable for many types of tail gates (customizable on request)



DIMENSIONS:



OPTIONALS AVAILABLE

Lift truck:
Code DT490DS



Base with 3 wheels:
Code OT120



Kit hose holder squeezed section with 2 wheels, for hose 180 mm diameter, 35 mm width:
Code ASBOSC

