



LONG LIFE POWERFUL
PROFESSIONAL GARDEN SOLUTIONS

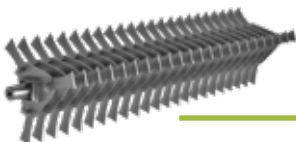
JEREMY POWER RAKE FOR TRACTOR

70 cm

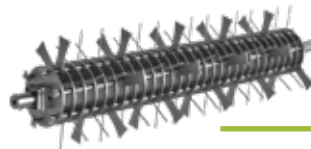


Composed the scarifier suitable for your lawn

Line far the maintenance of *parks, gardens and sports fields.*



Movable
knives



Spring &
knives



LONG LASTING BIAD with anti-wear thermal treatment

JEREMY

Power rake for tractor - 70 cm

The details make the difference of Agrinova machines.

- The metal thickness of the shell
- The types of bearings
- The type of belts
- The type of steel chosen to produce the cutting knives
- Heat treatments to make them as strong and sharp as long as possible

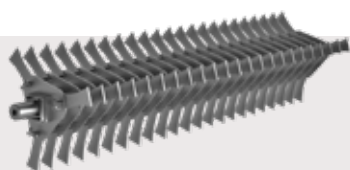
and the wide range of types of machines, to meet the specific needs of the lawn to care.

Agrinova knows that every lawn is different and should be treated according to its needs, so the **scarifiers** that it produce offer a wide variety of cutting systems.

The know-how gained over many years of experience and comparison with the gardening sector experts led to the development of **different working systems**, which allow us to treat with maximum efficiency any kind of lawn



WORK SYSTEM



ROTOR SHAFT WITH MOVABLE/KNIVES



Choice of blade thickness



2,5 mm
(as standard)

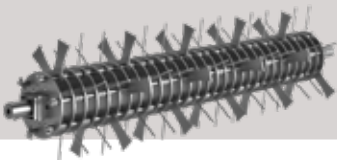


1,2 mm
(on demand) for blade step
30 or 40 mm

System that allow:

- Verticutting: Performs a number of cuts on the ground up to a recommended depth of up to 3 cm, but suggest maximum 0,5 cm
- Removing the moss by touching the ground

This system is referred floating because even if the impact blades against some of the typical gardens obstacle (superficial roots of plants, heads of sprinklers, curbs, etc ..) Will not be damaged, because they rotate on their own center and return to their working position thanks to centrifugal force rising from rotation at 3000 rpm).

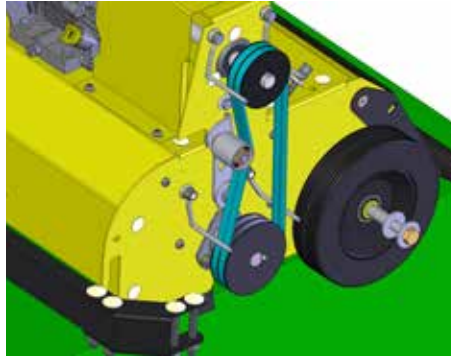


ROTOR WITH SPRING & KNIVES



Often on the meadow there are accumulations of moss and felt, due to the stagnation of water, to the constant presence left to the ground, using the mulching system. Before brushing the grass roots and the first layer of soil, it is necessary to clean the felt sheet. You must comb the grass layer with soft tips such as those of a spring. However, as a result of a highspeed operation, with considerable power provided by the engine, it is necessary to give stiffness to the cutting system by intercepting springs with moving knives. This prevents the system from pushing too much on the springs of the springs avoiding the resulting breakage. This type of cutting system requires little power to the engine and must be made at the lowest possible speeds.

CONSTRUCTIVE DETAILS



Transmission Double belt drive.



The central position of the engine, allows an excellent weigh balance



2 pivoting front wheels in solid rubber with sheet metal rims.



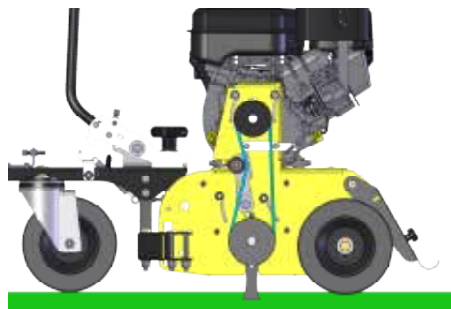
2 rubber wheels diametre 200 with metals rims.



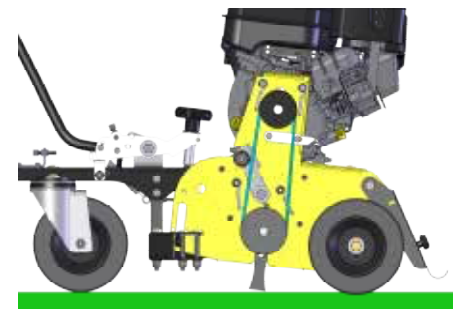
The cutting system is supported by two high quality.



Lifting handel and automatic starting of cutting system.



Belts in working position



Belts in rest position.



www.agrinova-italia.it

LONG LIFE POWERFUL PROFESSIONAL GARDEN SOLUTIONS



Technical data

		JU70B2-T
GENERAL INFORMATION	Working width	70 cm
	Dimensions (box)	1230 x 800 x 860 h mm
	Dimensions pallet	(with 2 boxes) 1230 x 800 x 1720 h mm
	Weight	68 kg
	Bearings	Cast iron support bearing unit
ENGINE	Type	Briggs & Stratton serie 950 - Cod. JU70B2-T
	Power	6,5 hp
HANDLING SYSTEM	Wheels	2 flx + 2 frontal pivoting
WORKING SYSTEM	Standard	Shaft movable knives 2.5 mm (step 40) 48 knives - Cod AC700
	Optional	haft spring & knives (nr 21 knives + 44 springs) - Cod AL71
	Transmission	With 2 belts

